

# Basic knowledge Steel Flange



**Type--Process-Usage –Difference**

# Flange material & standard

- Carbon stainless alloy



- ANSI, DIN, UNI, EN10921, GOST, SABS, BS....

# Flange process

- Forged flange



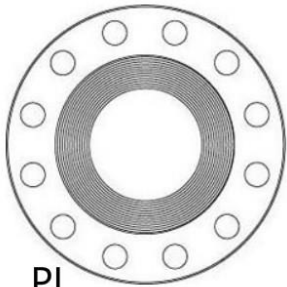
- Cast flange-not Precision ,it is sand cast



- Laser cutting



# Flange type



PL



**WELD NECK**



**SLIP-ON**



**SOCKET WELD**



**LAP JOINT**



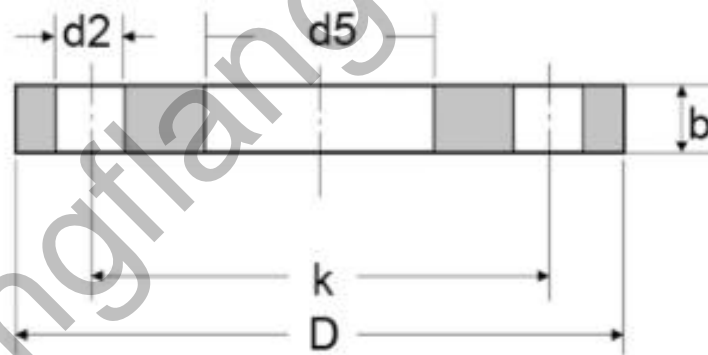
**THREADED**



**BLIND**

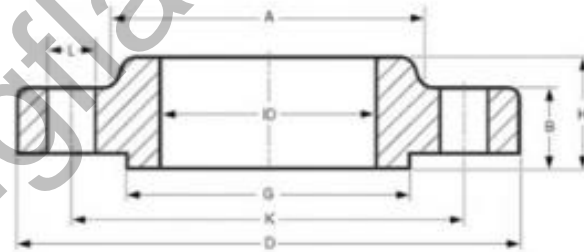
[www.fittingflange.com](http://www.fittingflange.com)

# PLflange



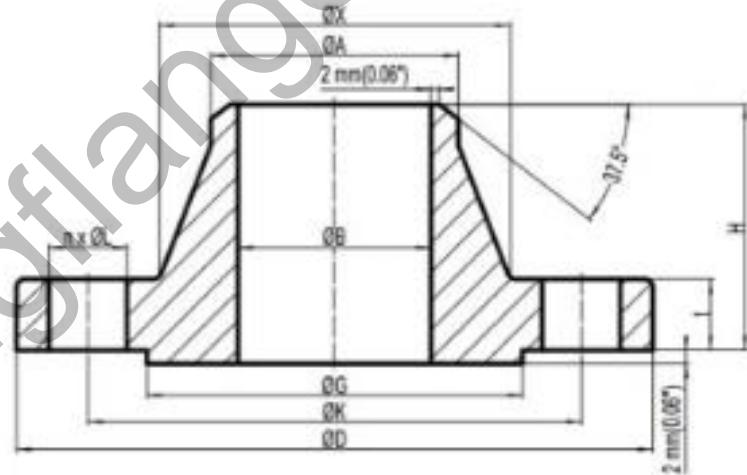
[www.fittingflange.com](http://www.fittingflange.com)

So flange

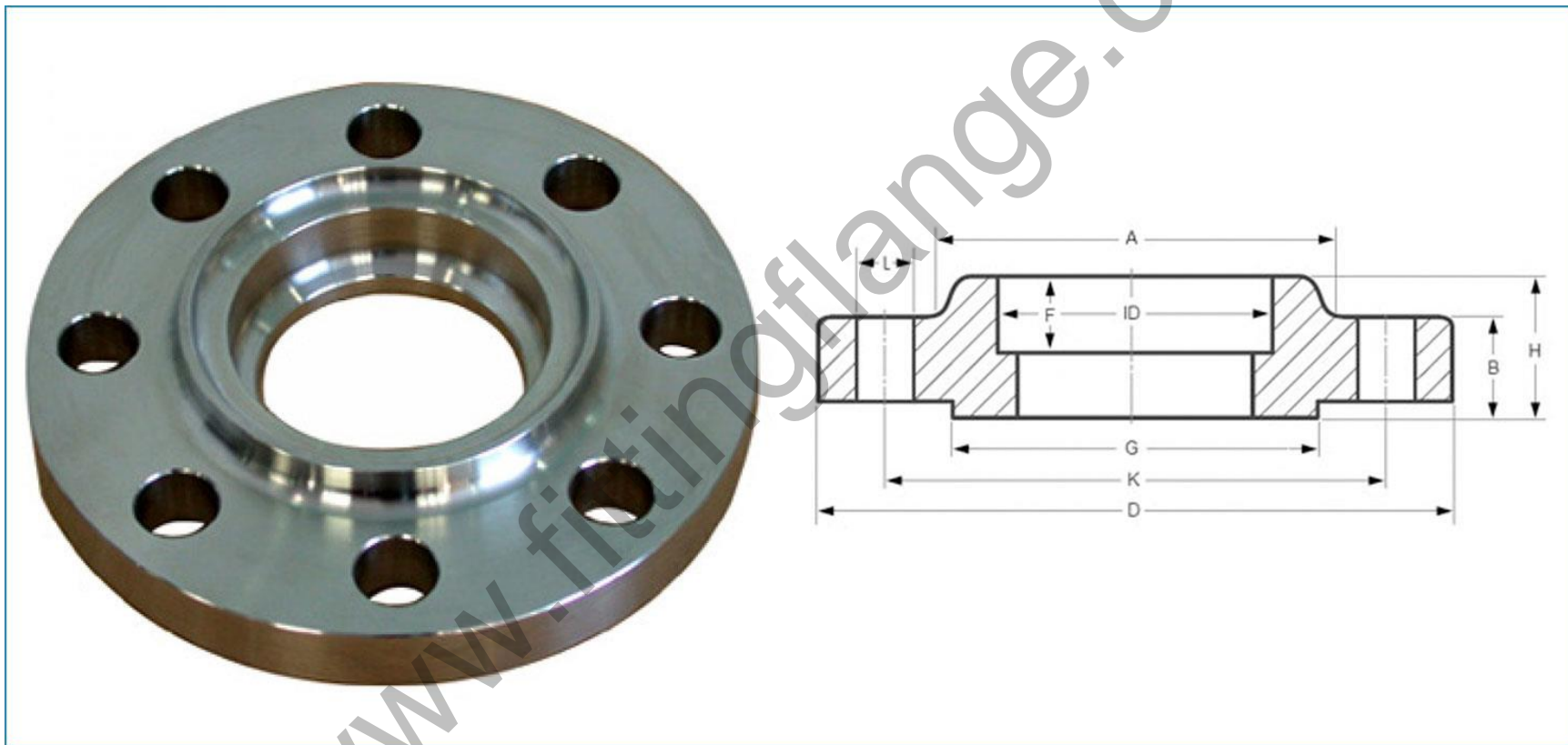


[www.fittingsoflange.com](http://www.fittingsoflange.com)

# WN flange/LWN flange

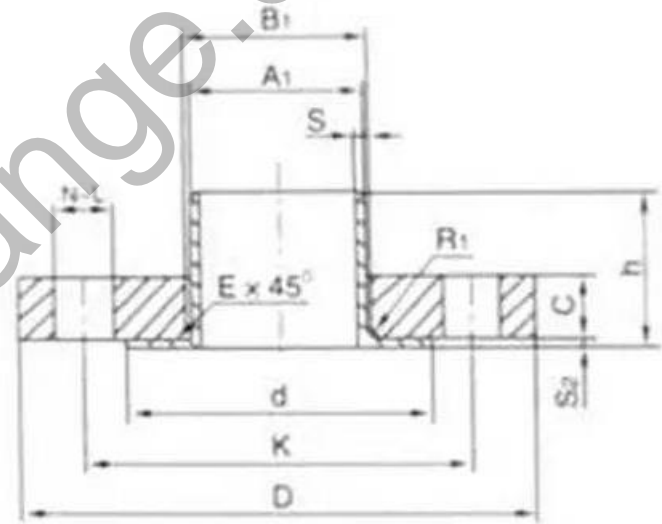


# Sw flange



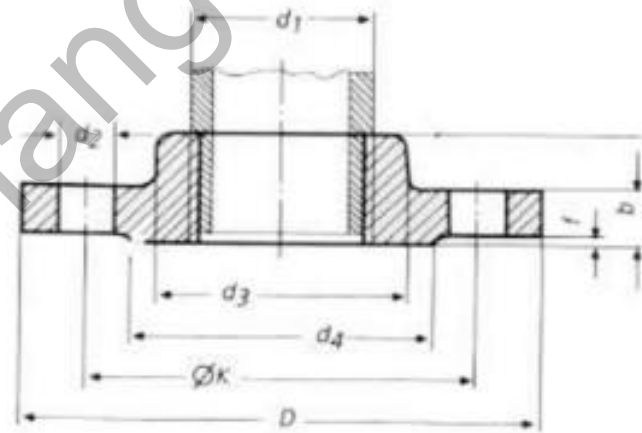


# Lap joint (stub end )flange



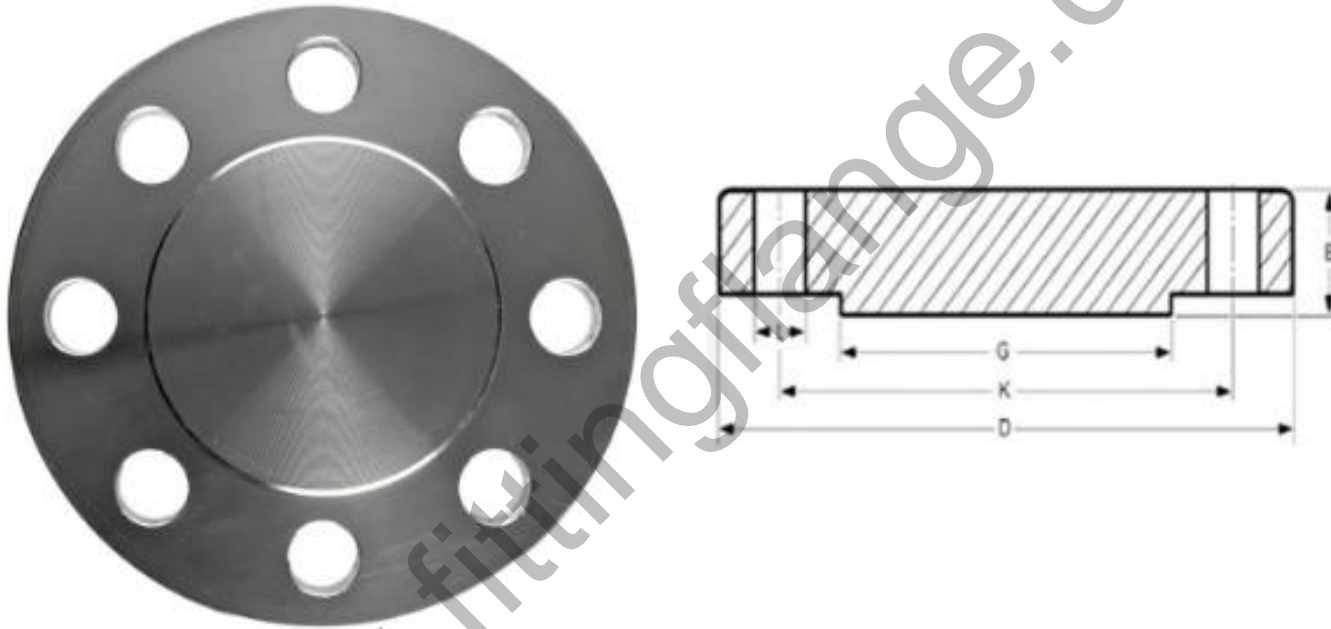
www.fittingflange.com

# Th flange



www.fittingflange.com

# BI flange



# Flange face

FLAT FACE FLANGE (FF)



RAISED FACE FLANGE (RF)



RING JOINT FLANGE (RTJ)



TONGUE AND GROOVE FLANGE (T AND G)



MALE AND FEMALE FLANGE (M AND F)



www.fittingoflflange.com

# LFDY Flange

- Langfang Dingyang flange pipe fitting co.,ltd
- Website:[www.fittingflange.com](http://www.fittingflange.com)
- Email:[info@fittingflange.com](mailto:info@fittingflange.com)
- whatsapp :15801556607
- linkedin: [info@csfitting.net](mailto:info@csfitting.net)

**Thanks for your visit!!!**